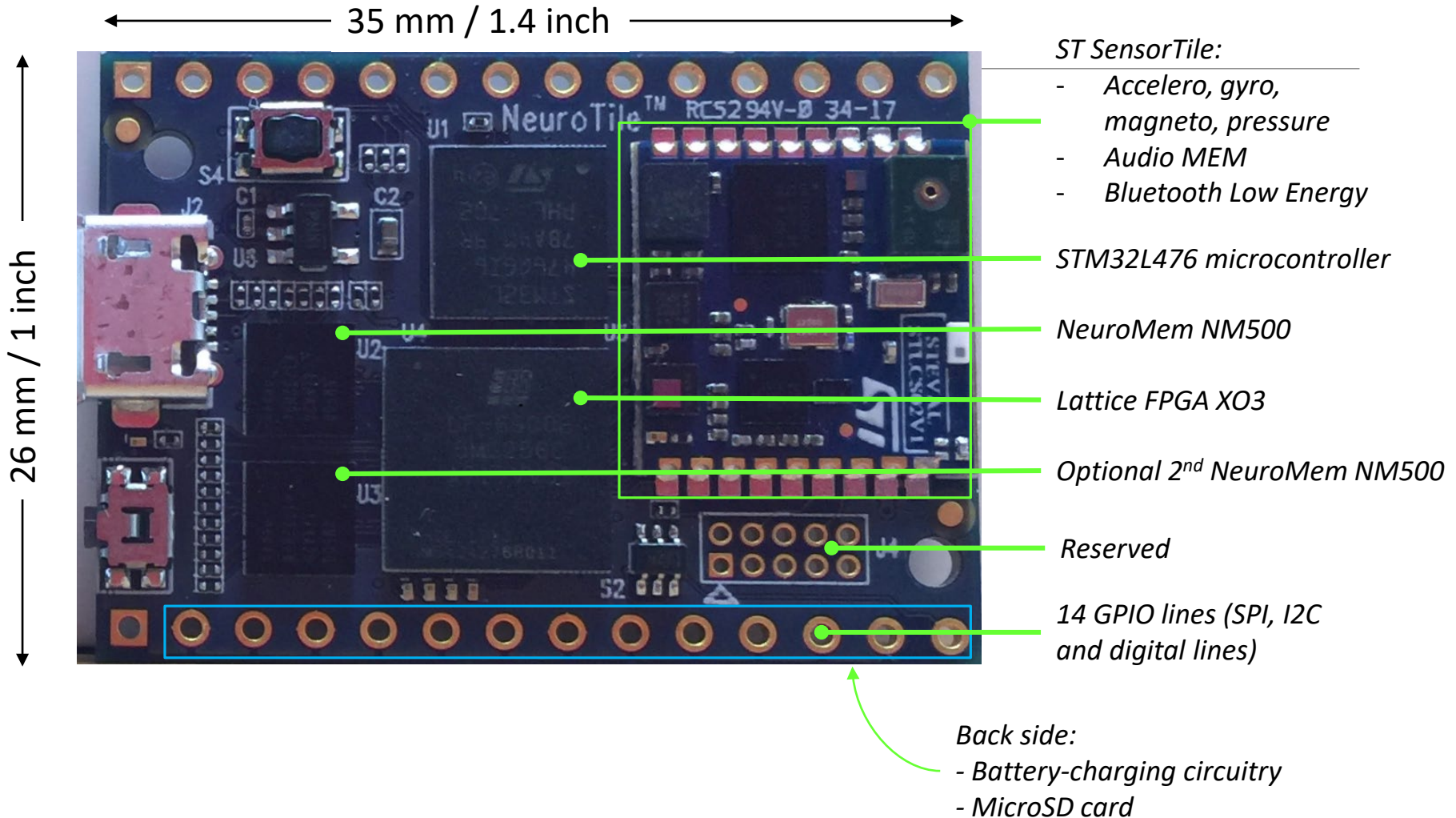
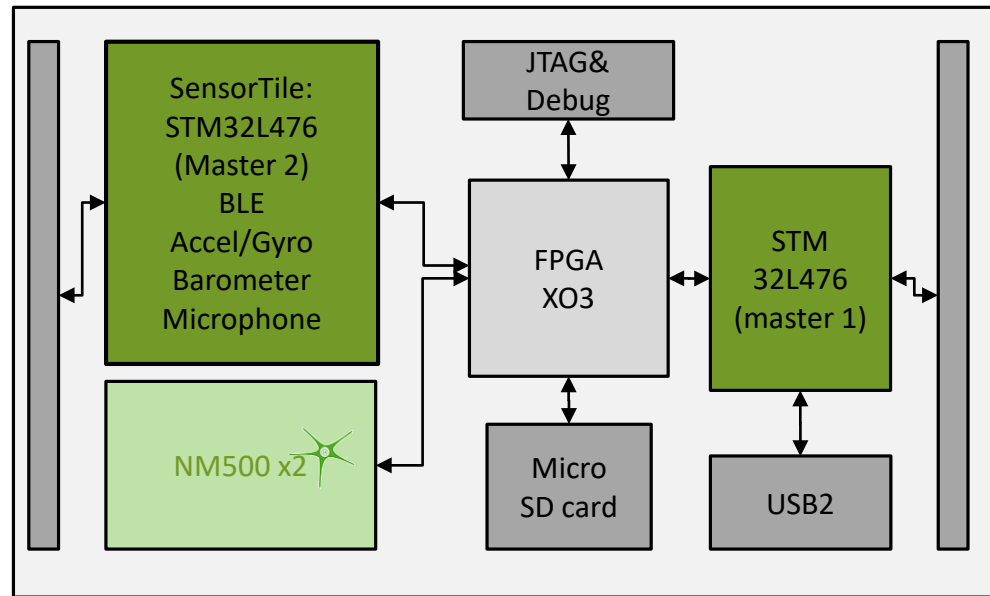


NeuroTile

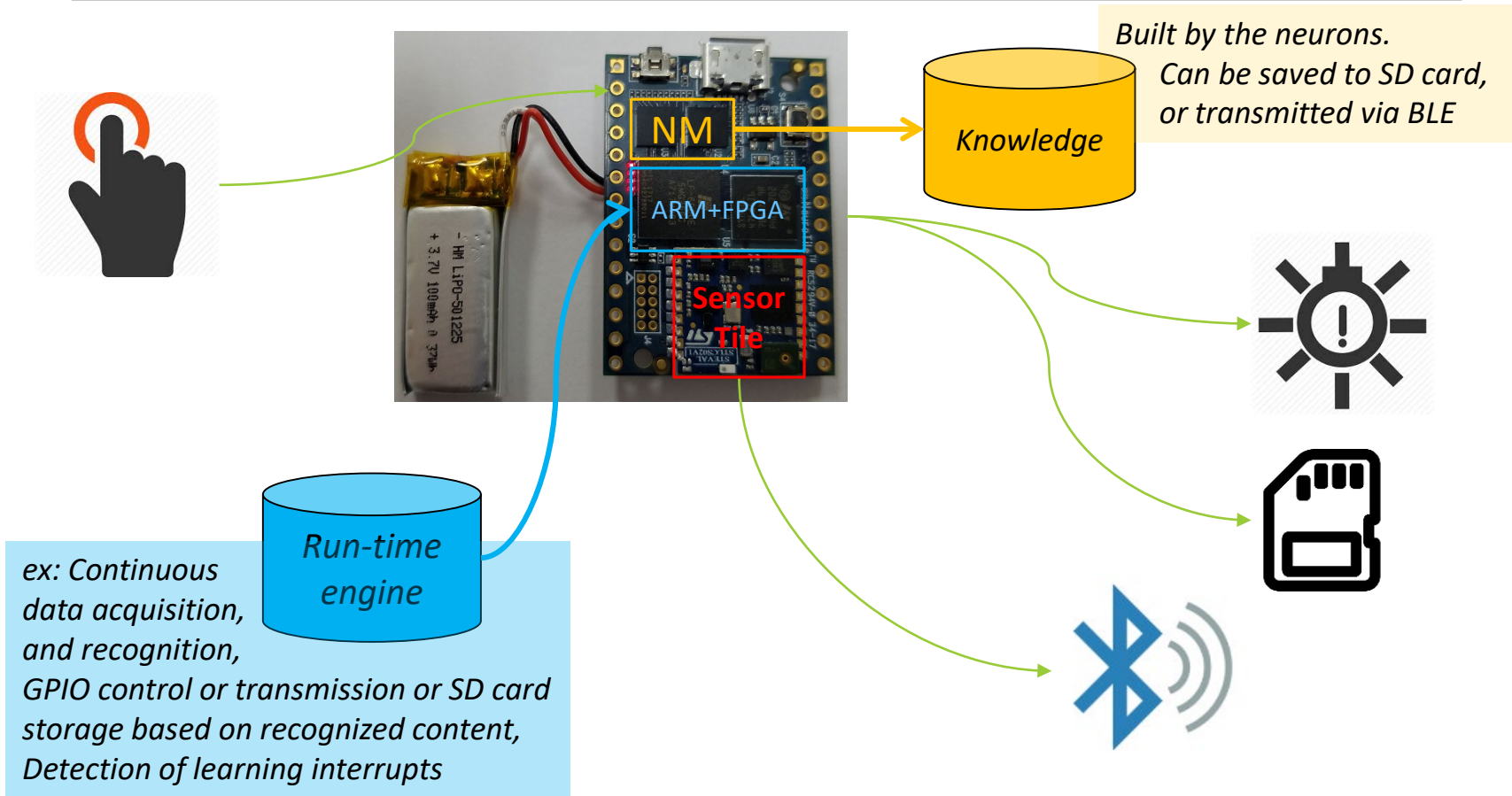


NeuroTile

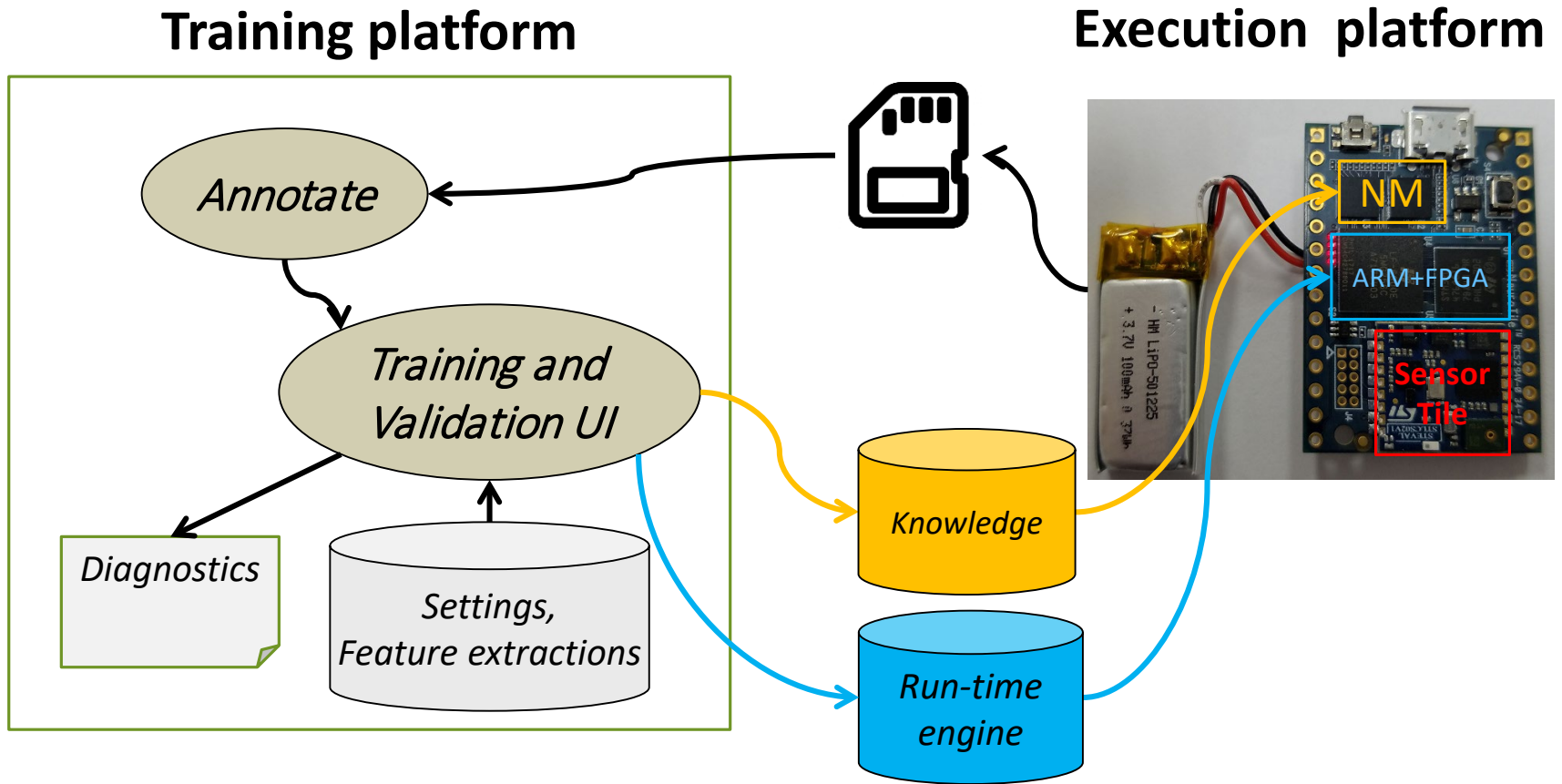
- Always-On IMU monitoring and life-long learning
- Replacement for Intel Curie



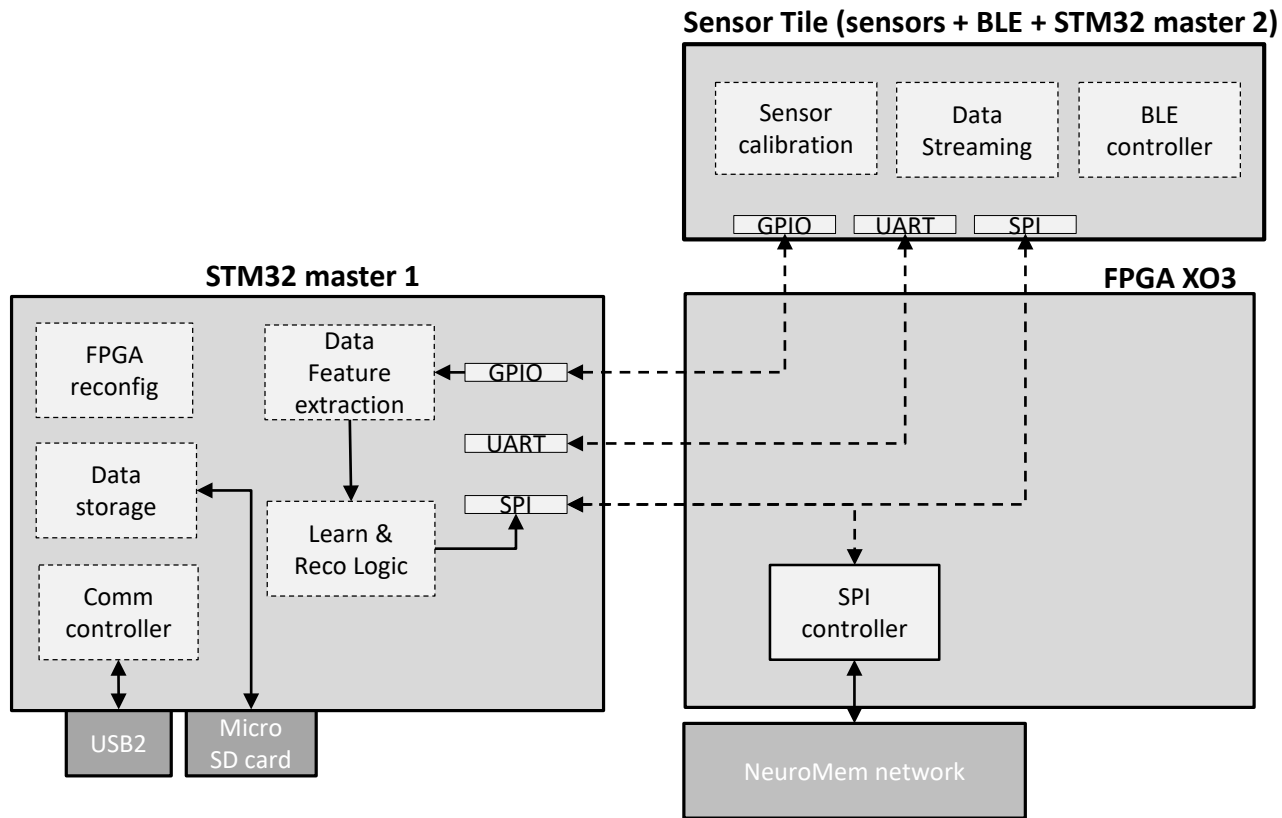
Application w/ live training



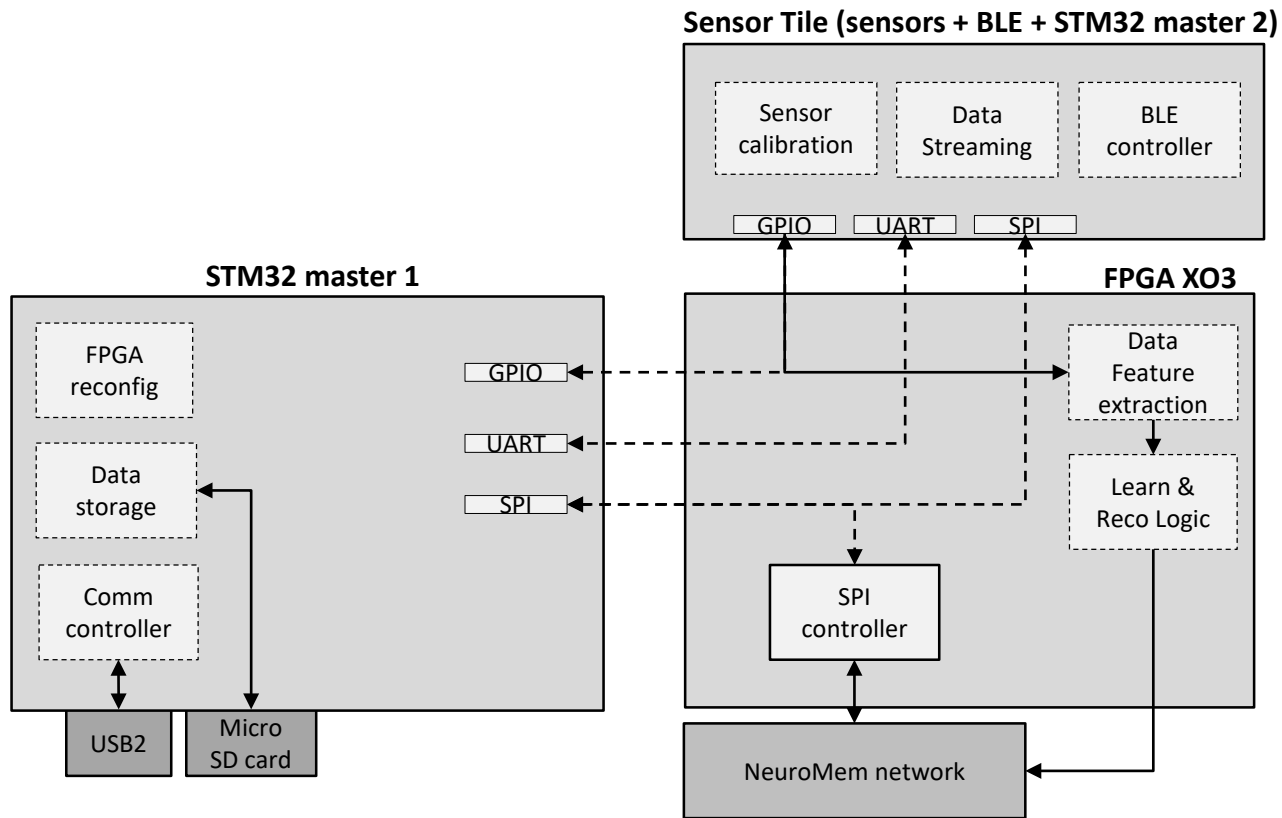
Application w/ off-line training



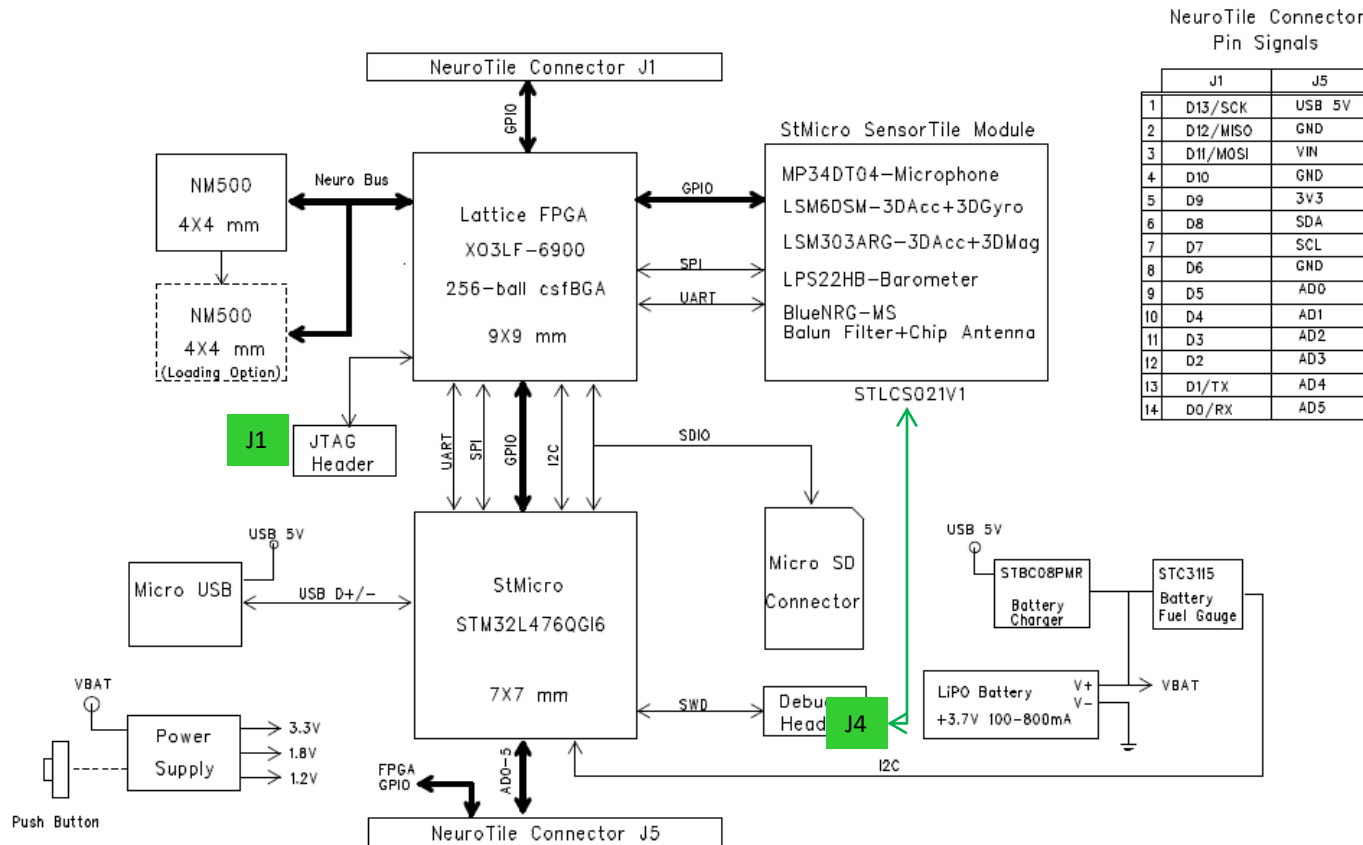
Programming Step 0



Programming Step 1



Block Diagram

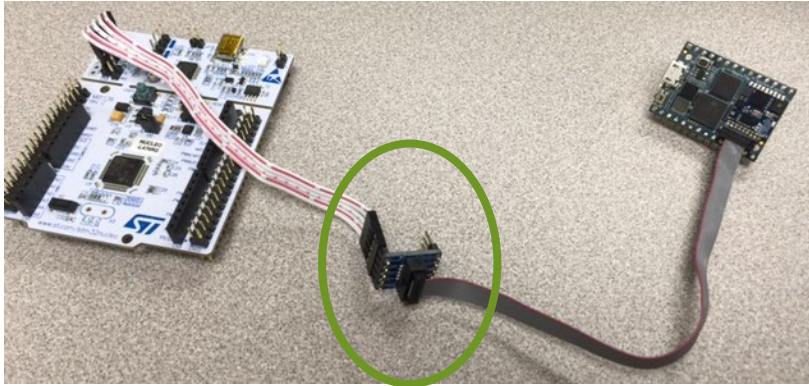


NeuroTile Connector Pin Signals

	J1	J5
1	D13/SCK	USB 5V
2	D12/MISO	GND
3	D11/MOSI	VIN
4	D10	GND
5	D9	3V3
6	D8	SDA
7	D7	SCL
8	D6	GND
9	D5	AD0
10	D4	AD1
11	D3	AD2
12	D2	AD3
13	D1/TX	AD4
14	D0/RX	AD5

Programming cables

STM32 MASTER 1



STM32 MASTER 2 (SENSORTILE)

